



REPAIR PARTS

GUP, GUPI, and GUPX "B" SERIES

GUPI050-3
GUPI075-3
GUPI075-4
GUPI100-4
GUPI100-5
GUPI120-5
GUPS050-2
GUPS075-3
GUPS100-3
GUPS100-4
GUPS120-4
GUPS120-5
GUPS140-5
GUPX050-3B
GUPX075-4B
GUPX100-5B
GUPX120-5B

Made in the USA by:
Goodman Manufacturing Company, L.P.
2550 North Loop West, Suite 400
Houston Texas 77092

www.goodmanmfg.com

RP-159B
May 2006

Important Information

Index

Functional Parts List	3
Illustration and Parts	4 - 13

Views shown are for parts illustrations only, not servicing procedures

Version A: Corrected vent motor part number. Was 18590-02S now 18590-00.

Text Codes:

AR - As Required

NA - Not Available

NS - Not Shown

00000000 - See Note

QTY - Quantity Example (QTY 3) (If Quantity not shown, Quantity = 1)

M - Model Example (M1) (If M Code not shown, then part is used on all Models)

Expanded Model Nomenclature:

Example
M1 - Model#1
M2 - Model#2
M3 - Model#3

Goodman Manufacturing Company, L.P. is not responsible for personal injury or property damage resulting from improper service. Review all service information before beginning repairs.

Warranty service must be performed by an authorized technician, using authorized factory parts. If service is required after the warranty expires, Goodman Manufacturing Company, L.P. also recommends contacting an authorized technician and using authorized factory parts.

Goodman Manufacturing Company, L.P. reserves the right to discontinue, or change at any time, specifications or designs without notice or without incurring obligations. Goodman® brand products are proudly made in the USA.

For assistance within the U.S.A. contact:
Consumer Affairs Department
Goodman Manufacturing Company, L.P.
7401 Security Way
Houston, Texas 77040
877-254-4729-Telephone
713-863-2382-Facsimile

For assistance outside the U.S.A. contact:
International Division
Goodman Manufacturing Company, L.P.
7401 Security Way
Houston, Texas 77040
713-861-2500-Telephone
713-863-2382-Facsimile

Functional Parts

Part

No: Description:

B13701-33	AIR PRESSURE SWITCH (M5, M10, M11, M12, M16)
B13701-26	AIR PRESSURE SWITCH (M1, M2, M7, M14)
B13701-01	AIR PRESSURE SWITCH (M3, M4, M6, M8, M9, M13, M15)
B9456-52	CAPACITOR 10.0 MFD, 370VAC (M2, M3, M9, M10, M14)
B9456-72	CAPACITOR 12.5MFD, 370VAC (M1, M4, M5, M6, M7, M8, M11, M13, M15, M16)
B9456-53	CAPACITOR 15.0 MFD, 370VAC (M12)
12826-06S	GAS VALVE - IID (M1, M2, M3, M4, M5, M13, M14, M15, M16)
B12826-05	GAS VALVE - STANDING PILOT (M6, M7, M8, M9, M10, M11, M12)
B13400-09	MOTOR 1/2HP (M2, M3, M9, M10, M14)
B13400-12	MOTOR 1/3HP (M1, M6, M7, M8, M13)
B13400-15	MOTOR 3/4HP (M4, M5, M11, M15, M16)
B13400-14	MOTOR 3/4HP (M12)
14010-03S	PILOT BURNER (M1, M2, M3, M4, M5, M13, M14, M15, M16)
B14010-10	PILOT BURNER (M6, M7, M8, M9, M10, M11, M12)
B13701-08	ROLL OUT SWITCH (M1, M2, M3, M4, M5, M6, M7, M8, M9, M10, M11, M12, M13, M14, M15, M16)
B18099-03	SOLID- STATE BLOWER CONTROL (M1, M2, M3, M4, M5, M6, M7, M8, M9, M10, M11, M12, M13, M14, M15, M16)
B11416-00	TRANSFORMER 40VA (M1, M2, M3, M4, M5, M6, M7, M8, M9, M10, M11, M12, M13, M14, M15, M16)

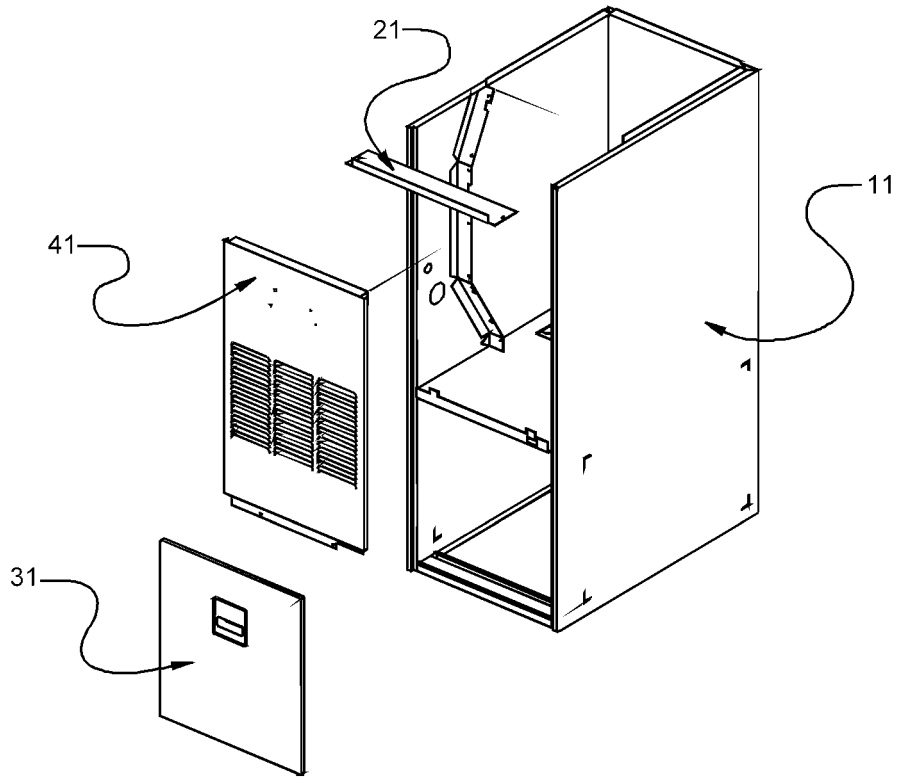
SPECIAL PARTS

RP-159A	REPAIR PARTS MANUAL (M1, M2, M3, M4, M5, M6, M7, M8, M9, M10, M11, M12, M13, M14, M15, M16)
---------	---

Expanded Model Nomenclature

M1 - GUPI050-3
M2 - GUPI075-3
M3 - GUPI075-4
M4 - GUPI100-4
M5 - GUPI100-5
M6 - GUPI120-5
M7 - GUPS050-2
M8 - GUPS075-3
M9 - GUPS100-3
M10 - GUPS100-4
M11 - GUPS120-4
M12 - GUPS120-5
M13 - GUPS140-5
M14 - GUPX050-3B
M15 - GUPX075-4B
M16 - GUPX100-5B
M17 - GUPX120-5B

Casing



Casing

Ref. Part No: No:	Description:	Ref. Part No: No:	Description:
-------------------	--------------	-------------------	--------------

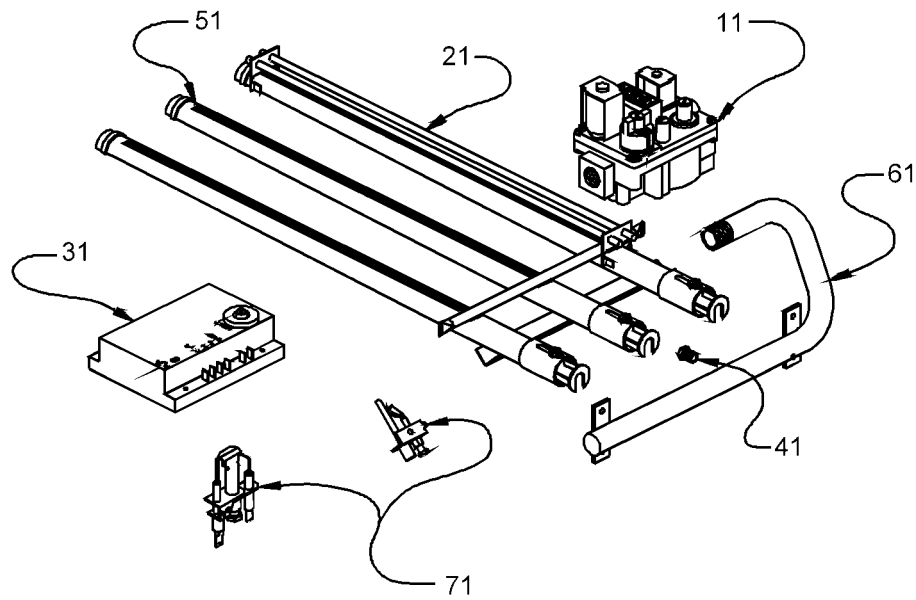
Image 1:

11	18161-11P	CASING ASSEMBLY (M12)
11	18161-32P	CASING ASSEMBLY (M1, M6, M7, M13)
11	18161-33P	CASING ASSEMBLY (M2, M3, M8, M9, M14)
11	18161-34P	CASING ASSEMBLY (M4, M5, M10, M11, M15, M16)
21	18221-06P	TOP CHANNEL (M12)
21	18221-07P	TOP CHANNEL (M1, M6, M7, M13)
21	18221-08P	TOP CHANNEL (M2, M3, M8, M9, M14)
21	18221-09P	TOP CHANNEL (M4, M5, M10, M11, M15, M16)
31	18223-40	BLOWER DOOR W/HANDLE (M2, M3, M8, M9, M14)
31	18223-41	BLOWER DOOR W/HANDLE (M4, M5, M10, M11, M15, M16)
31	18223-42	BLOWER DOOR W/HANDLE (M12)
31	18223-43	BLOWER DOOR W/HANDLE (M1, M6, M7, M13)
41	18813-00P	CONTROL ACCESS DOOR (M1, M6, M7, M13)
41	18813-01P	CONTROL ACCESS DOOR (M2, M3, M8, M9, M14)
41	18813-02P	CONTROL ACCESS DOOR (M4, M5, M10, M11, M15, M16)
41	18813-03P	CONTROL ACCESS DOOR (M12)

Expanded Model Nomenclature

M1 - GUPI050-3
M2 - GUPI075-3
M3 - GUPI075-4
M4 - GUPI100-4
M5 - GUPI100-5
M6 - GUPI120-5
M7 - GUPS050-2
M8 - GUPS075-3
M9 - GUPS100-3
M10 - GUPS100-4
M11 - GUPS120-4
M12 - GUPS120-5
M13 - GUPS140-5
M14 - GUPX050-3B
M15 - GUPX075-4B
M16 - GUPX100-5B
M17 - GUPX120-5B

Gas Train



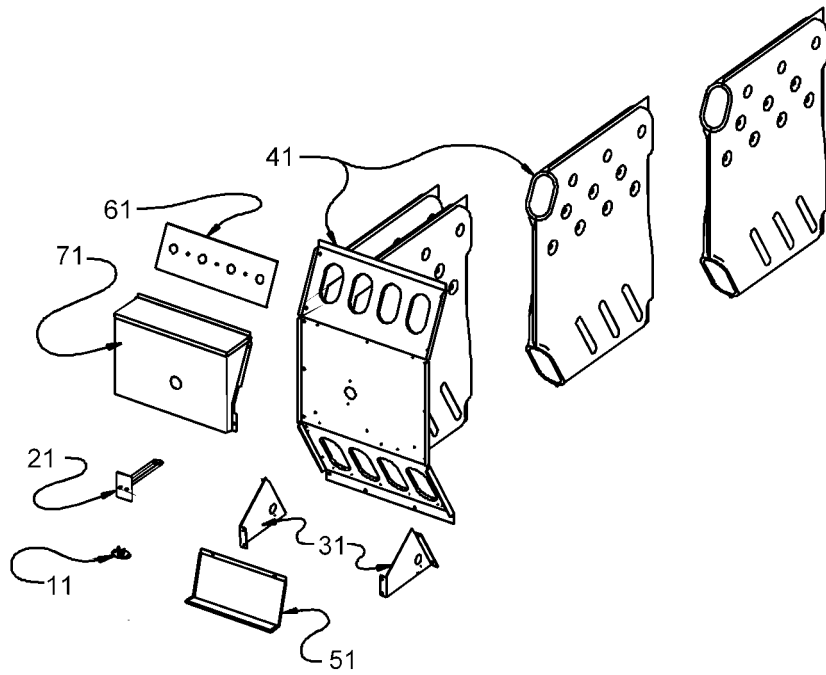
Gas Train

Ref. Part No:	No:	Description:	Ref. Part No:	No:	Description:
<i>Image 1:</i>					
11	12826-06S	GAS VALVE - IID (M1, M2, M3, M4, M5, M13, M14, M15, M16)			
11	B12826-05	GAS VALVE - STANDING PILOT (M6, M7, M8, M9, M10, M11, M12)			
21	B18112-00	LO NOX ROD (M13, M14, M15, M16)			
31	B13707-24	IGNITION MODULE - IID (M1, M2, M3, M4, M5, M13, M14, M15, M16)			
41	B17893-42	BURNER ORIFICE #43 (M1, M2, M3, M4, M5, M6, M7, M8, M9, M10, M11, M12, M13, M14, M15, M16)			
51	B18225-00	BURNER ASSY, 2 CELL, 1" DIA. (M6)			
51	B18225-02	BURNER ASSY, 2 CELL, LO NOX (M13)			
51	B18225-01	BURNER ASSY, 3 CELL, 1" DIA. (M1, M2, M7)			
51	B18225-03	BURNER ASSY, 3 CELL, LO NOX (M14)			
51	B18225-07	BURNER ASSY, 4 CELL, 1" DIA (M3, M4, M8, M9)			
51	B18225-04	BURNER ASSY, 4 CELL, LO NOX (M15)			
51	B18225-08	BURNER ASSY, 5 CELL, 1" DIA. (M5, M10, M11)			
51	B18225-05	BURNER ASSY, 5 CELL, LO NOX (M16)			
61	B18264-00	MANIFOLD, 2 CELL (M6, M13)			
61	B18264-01	MANIFOLD, 3 CELL (M1, M2, M7, M14)			
61	B18264-02	MANIFOLD, 4 CELL (M3, M4, M8, M9, M15)			
61	B18264-03	MANIFOLD, 5 CELL (M5, M10, M11, M16)			
61	B18264-04	MANIFOLD, 6 CELL (M12)			
71	14010-03S	PILOT BURNER (M1, M2, M3, M4, M5, M13, M14, M15, M16)			
71	B14010-10	PILOT BURNER (M6, M7, M8, M9, M10, M11, M12)			

Expanded Model Nomenclature

- M1 - GUPI050-3
- M2 - GUPI075-3
- M3 - GUPI075-4
- M4 - GUPI100-4
- M5 - GUPI100-5
- M6 - GUPI120-5
- M7 - GUPS050-2
- M8 - GUPS075-3
- M9 - GUPS100-3
- M10 - GUPS100-4
- M11 - GUPS120-4
- M12 - GUPS120-5
- M13 - GUPS140-5
- M14 - GUPX050-3B
- M15 - GUPX075-4B
- M16 - GUPX100-5B
- M17 - GUPX120-5B

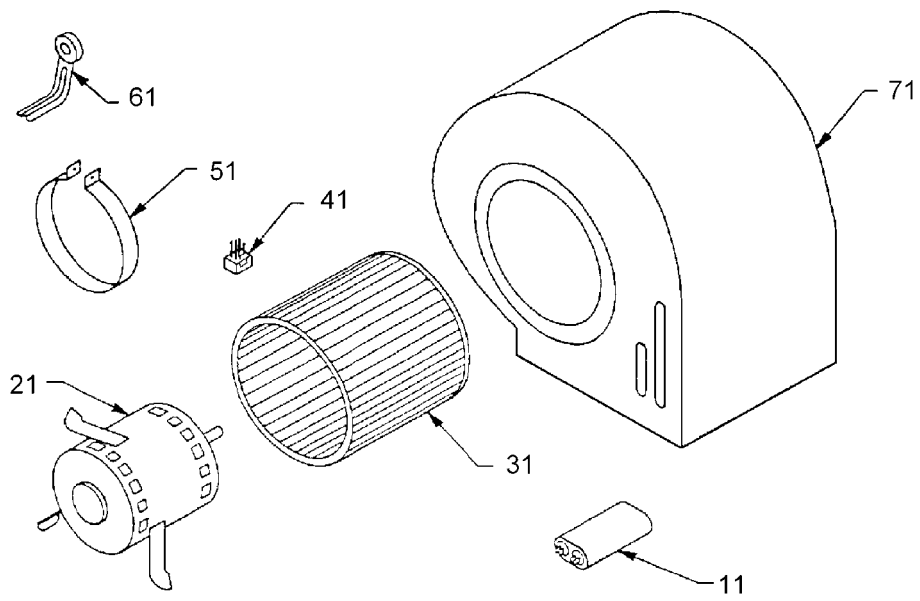
Heat Exchanger Assembly



Heat Exchanger Assembly

Ref. Part No:	No:	Description:	Ref. Part No:	No:	Description:
<i>Image 1:</i>			Expanded Model Nomenclature		
11	B13701-08	ROLL OUT SWITCH (M1, M2, M3, M4, M5, M6, M7, M8, M9, M10, M11, M12, M13, M14, M15, M16)	M1 -	GUPI050-3	
21	B13700-06	MAIN LIMIT CONTROL, 150F, 7LG (M2, M5, M7, M11, M12, M13, M14)	M2 -	GUPI075-3	
21	B13700-08	MAIN LIMIT CONTROL, 160F, 7 LG. (M1, M6)	M3 -	GUPI075-4	
21	B13700-11	MAIN LIMIT CONTROL, 220F, 3LG (M4, M9, M10, M15, M16)	M4 -	GUPI100-4	
21	B13700-12	MAIN LIMIT CONTROL, 240F, 7LG (M3, M8)	M5 -	GUPI100-5	
31	18159-00	MANIFOLD SUPPORT BRACKET, LH (M1, M2, M3, M4, M5, M6, M7, M8, M9, M10, M11, M12, M13, M14, M15, M16)	M6 -	GUPI120-5	
31	18159-01	MANIFOLD SUPPORT BRACKET, RH (M1, M2, M3, M4, M5, M6, M7, M8, M9, M10, M11, M12, M13, M14, M15, M16)	M7 -	GUPS050-2	
41	18212-02S	HEAT EXCHANGER ASSEMBLY (M2, M15)	M8 -	GUPS075-3	
41	18212-07S	HEAT EXCHANGER ASSEMBLY (M6, M13)	M9 -	GUPS100-3	
41	18212-08S	HEAT EXCHANGER ASSEMBLY (M1, M7, M14)	M10 -	GUPS100-4	
41	18212-10S	HEAT EXCHANGER ASSEMBLY (M3, M8, M9)	M11 -	GUPS120-4	
41	18212-11S	HEAT EXCHANGER ASSEMBLY (M5, M10, M11, M16)	M12 -	GUPS120-5	
41	18212-13S	HEAT EXCHANGER ASSEMBLY (M12)	M13 -	GUPS140-5	
51	18224-16	SECONDARY AIR DOOR (M6, M13)	M14 -	GUPX050-3B	
51	18224-17	SECONDARY AIR DOOR (M1, M2, M7, M14)	M15 -	GUPX075-4B	
51	18224-18	SECONDARY AIR DOOR (M3, M4, M8, M9, M15)	M16 -	GUPX100-5B	
51	18224-19	SECONDARY AIR DOOR (M5, M10, M11, M16)	M17 -	GUPX120-5B	
51	18224-20	SECONDARY AIR DOOR (M12)			
61	18248-16	FLUE RESTRICTOR (M6, M13)			
61	18248-17	FLUE RESTRICTOR (M1, M2, M7, M14)			
61	18248-18	FLUE RESTRICTOR (M5, M10, M11, M16)			
61	18248-19	FLUE RESTRICTOR (M3, M4, M8, M9, M15)			
61	18248-28	FLUE RESTRICTOR (M12)			
71	18812-03	FLUE COLLECTOR BOX (M12)			
71	18812-04	FLUE COLLECTOR BOX (M6, M13)			
71	18812-08	FLUE COLLECTOR BOX (M5, M10, M11, M16)			
71	18812-09	FLUE COLLECTOR BOX (M1, M2, M7, M14)			
71	18812-10	FLUE COLLECTOR BOX (M3, M4, M8, M9, M15)			

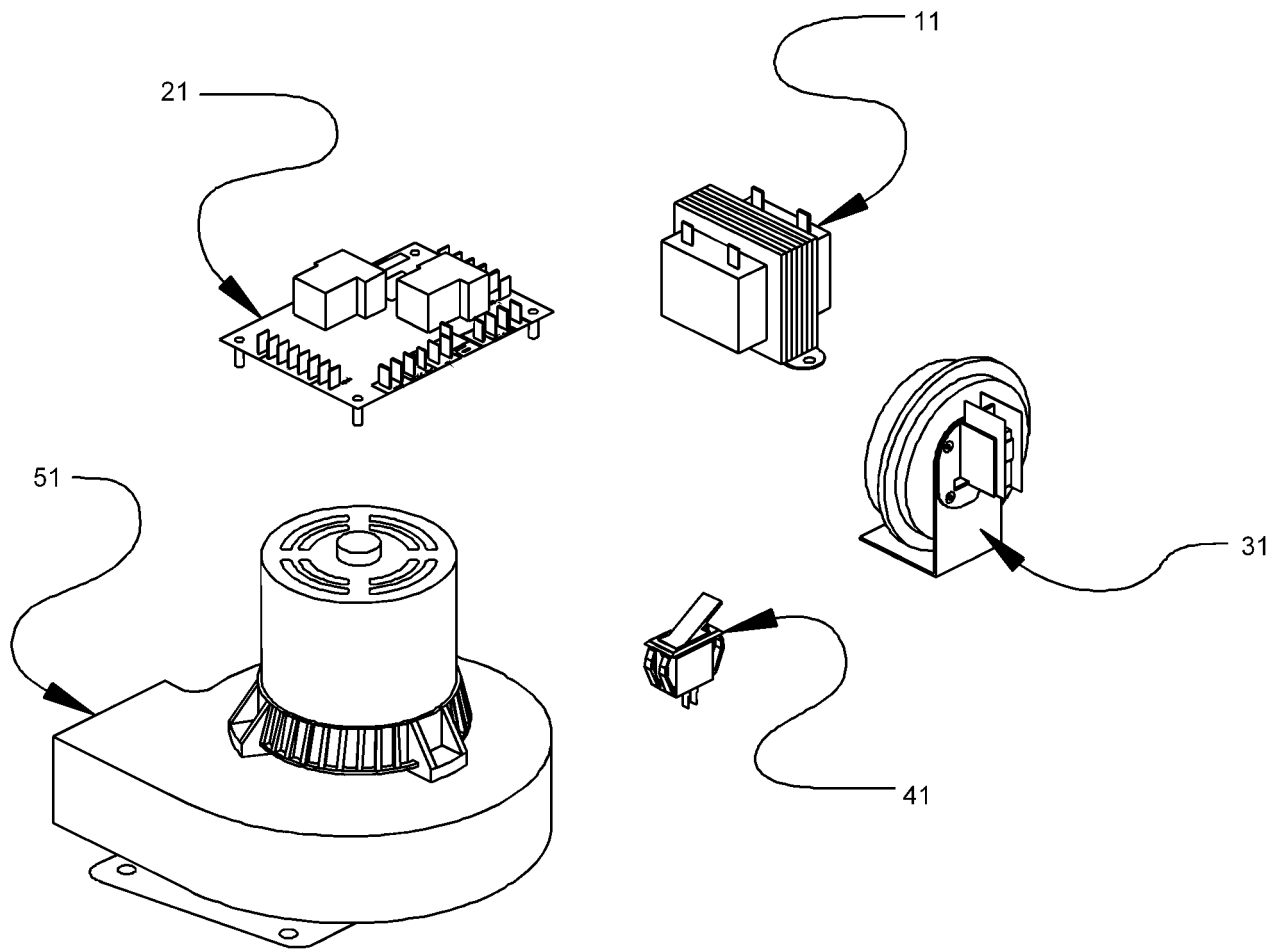
Blower Assembly



Blower Assembly

Ref. Part No:	No:	Description:	Ref. Part No:	No:	Description:
<i>Image 1:</i>			Expanded Model Nomenclature		
11	B9456-52	CAPACITOR 10.0 MFD, 370VAC (M2, M3, M9, M10, M14)	M1 -	GUPI050-3	
11	B9456-72	CAPACITOR 12.5MFD., 370VAC (M1, M4, M5, M6, M7, M8, M11, M13, M15, M16)	M2 -	GUPI075-3	
11	B9456-53	CAPACITOR 15.0 MFD, 370VAC (M12)	M3 -	GUPI075-4	
21	B13400-09	MOTOR 1/2HP (M2, M3, M9, M10, M14)	M4 -	GUPI100-4	
21	B13400-12	MOTOR 1/3HP (M1, M6, M7, M8, M13)	M5 -	GUPI100-5	
21	B13400-14	MOTOR 3/4HP (M12)	M6 -	GUPI120-5	
21	B13400-15	MOTOR 3/4HP (M4, M5, M11, M15, M16)	M7 -	GUPS050-2	
31	B13680-34	BLOWER WHEEL (10 X 6) (M1, M5, M7, M12, M13)	M8 -	GUPS075-3	
31	B13680-46	BLOWER WHEEL (10 X 6) (M5, M12)	M9 -	GUPS100-3	
31	B13680-16	BLOWER WHEEL (10 X 8) (M2, M3, M8, M9, M14)	M10 -	GUPS100-4	
31	B13680-47	BLOWER WHEEL (10 X 10) (M10)	M11 -	GUPS120-4	
31	B13680-00	BLOWER WHEEL (11 X 10) (M4, M11, M15, M16)	M12 -	GUPS120-5	
31	B13680-42	BLOWER WHEEL (9 X 6) (M6)	M13 -	GUPS140-5	
41	B13682-53	MALE CONNECTOR PLUG (M1, M2, M3, M4, M5, M6, M7, M8, M9, M10, M11, M12, M13, M14, M15, M16)	M14 -	GUPX050-3B	
51	B13768-51	MOTOR MOUNTING BAND (M4, M5, M11, M12, M15, M16)	M15 -	GUPX075-4B	
61	B13768-59	MOTOR MOUNTING ARM (M4, M5, M11, M12, M15, M16)	M16 -	GUPX100-5B	
71	14393-77	BLOWER HOUSING (10 X 6) (M1, M7, M13)	M17 -	GUPX120-5B	
71	18393-01	BLOWER HOUSING (10 X 6) (M12)			
71	14393-91	BLOWER HOUSING (10 X 8) (M2, M3, M8, M9, M14)			
71	14393-89	BLOWER HOUSING (9 X 6) (M6)			
71	18393-00	BLOWER HOUSING(11X10&10X10) (M4, M5, M10, M11, M15, M16)			
81	18682-21S	BLOWER ASSEMBLY (10 X 6) (M1, M7, M13)			
81	18682-00S	BLOWER ASSEMBLY (10 X 6) (2) (M12)			
81	18682-01S	BLOWER ASSEMBLY (10X10) (M10)			
81	18682-04S	BLOWER ASSEMBLY (10X8) (M2, M3, M9, M14)			
81	18682-05S	BLOWER ASSEMBLY (10X8) (M8)			
81	18682-16S	BLOWER ASSEMBLY (11 X 10) (M4, M5, M11, M15, M16)			
81	18682-24S	BLOWER ASSEMBLY (9 X 6) (M6)			

Misc. Electrical and Hardware



Misc. Electrical and Hardware

Ref. Part No:	No:	Description:	Ref. Part No:	No:	Description:
<i>Image 1:</i>					
11	B11416-00	TRANSFORMER 40VA (M1, M2, M3, M4, M5, M6, M7, M8, M9, M10, M11, M12, M13, M14, M15, M16)			
21	B18099-03	SOLID- STATE BLOWER CONTROL (M1, M2, M3, M4, M5, M6, M7, M8, M9, M10, M11, M12, M13, M14, M15, M16)			
31	B13701-01	AIR PRESSURE SWITCH (M3, M4, M6, M8, M9, M13, M15)			
31	B13701-26	AIR PRESSURE SWITCH (M1, M2, M7, M14)			
31	B13701-33	AIR PRESSURE SWITCH (M5, M10, M11, M12, M16)			
41	B13708-18	DOOR INTERLOCK SWITCH (M1, M2, M3, M4, M5, M6, M7, M8, M9, M10, M11, M12, M13, M14, M15, M16)			
51	18590-00	VENT MOTOR & HOUSING (M1, M2, M3, M4, M5, M6, M7, M8, M9, M10, M11, M12, M13, M14, M15, M16)			

Expanded Model Nomenclature

M1 - GUPI050-3
M2 - GUPI075-3
M3 - GUPI075-4
M4 - GUPI100-4
M5 - GUPI100-5
M6 - GUPI120-5
M7 - GUPS050-2
M8 - GUPS075-3
M9 - GUPS100-3
M10 - GUPS100-4
M11 - GUPS120-4
M12 - GUPS120-5
M13 - GUPS140-5
M14 - GUPX050-3B
M15 - GUPX075-4B
M16 - GUPX100-5B
M17 - GUPX120-5B