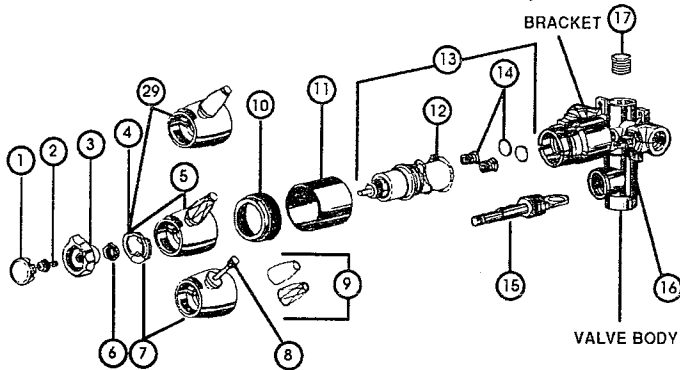




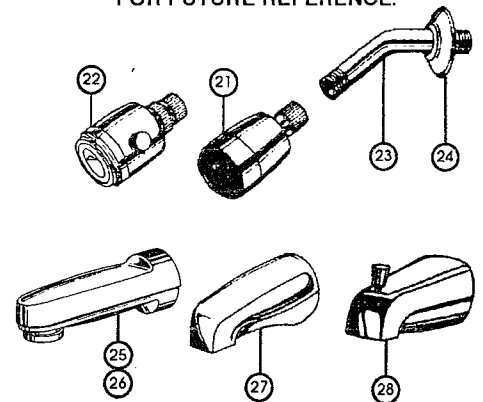
**SINGLE HANDLE MONITOR
PRESSURE BALANCED BATH VALVES**
THIS VALVE MEETS OR EXCEEDS THE FOLLOWING
STANDARDS: ANSI A112.18.1M.1989 ASSE 1016

CAUTION: This system/device must be set by the installer to insure safe, maximum temperature. Any change in the setting may raise the discharge temperature above the limit considered safe and may lead to scalds.



WRITE PURCHASED MODEL NUMBER HERE
FOR FUTURE REFERENCE.

PLASTER
GUARD



NOTICE TO THE INSTALLER: CAUTION!—As the installer of this valve, it is your responsibility to properly INSTALL and ADJUST this valve per the instructions given below. This valve does not automatically adjust for inlet temperature changes, therefore, someone must make the necessary Rotational Limit Stop adjustments at the time of installation and further adjustments may be necessary due to seasonal water temperature changes. YOU MUST inform the owner/user of this requirement by following the instructions below. If you or the owner/user are unsure how to properly make these adjustments, please refer to the instructions below and if still uncertain, consult your local Delta Representative.

After installation and adjustment, you must affix your name, company name and the date you adjusted the Rotational Limit Stop to the caution label provided and apply or attach the label to the back side of the closest cabinet door and the warning label to the hot water heater. Leave this Instruction Sheet for the owner's/user's reference.

WARNING: This pressure balanced bath valve is designed to minimize effects of outlet water temperature changes due to inlet pressure changes, commonly caused by dishwashers, washing machines, toilets and the like. It may not provide protection from scalding when there is a failure of other temperature controlling devices elsewhere in the plumbing system if the Rotational Limit Stop is not properly set, or if the hot water temperature is changed after the Rotational Limit Stop is set or if the water inlet changes due to seasonal changes.

WARNING: Do not install a shut-off device on either outlet of this valve. When this type of device shuts off the water flow, it can defeat the ability of the valve to balance the hot and cold water pressures.

INSTALLATION INSTRUCTIONS

BEFORE YOU START . . . be sure to determine the type of installation you will be performing, whether or not you will install your valve in a conventional plaster wall, plaster wall with thick tile, thin wall fiberglass, plastic or metal shower stall.

CONVENTIONAL — If you are installing in a plaster wall or plaster wall with thick tile: BE SURE THAT THE SURFACE OF THE PLASTER GUARD COVERING THE VALVE IS FLUSH WITH YOUR FINISHED WALL.

THIN WALL — If you are installing this valve on a fiberglass, plastic or metal showerstall with thin walls, the plaster guard can be used as a mounting bracket by removing from valve. Cut a 5 inch maximum diameter hole in the showerstall. If the valve does not have a push button diverter or screw driver stops, you may cut a 3-1/2 to 5 inch diameter hole in the showerstall. Turn the plaster guard upside down, place valve body inlets in saddle and mount from backside of showerstall. Place escutcheon (19) or (20) over valve and secure with screws (18). The tub spout outlet and shower riser must be anchored using an RP11077 mounting ell or other anchoring device.

SHUT OFF WATER SUPPLIES

1. INSTALL VALVE so that arrows on bracket point upward. If you are making shower only installation, plug bottom outlet of valve with pipe plug (17).

CONNECT HOT AND COLD SUPPLY LINES to left and right inlets of valve body. Left is hot and right is cold. Threaded inlets are 1/2" iron pipe size. Sweat inlet option is 1/2" copper tube size (CTS). We suggest removing the cartridge prior to brazing. After brazing, be sure to replace all parts including the quad

rings. Make sure the cartridge key is properly positioned with the slot in the body and that the bonnet is securely tightened. To reinstall cartridge, follow instructions in Step "D" for Back-to-Back installations on next page.

3. FOR SHOWERHEAD INSTALLATION connect top outlet to shower arm (23) with proper fittings. To prevent damage to finish on shower arm, insert wall end of shower arm into flange (24) before screwing arm into riser connection.

4. FOR TUB SPOUT INSTALLATION^{1, 2} It will be necessary to identify the spout you are installing to determine which instructions to follow.

IF YOU ARE INSTALLING TUB SPOUT 1, 2 (28) RP7533 Series, (25) RP17453, (26) RP17454 Series you will find printed installation instructions on the plastic bag your tub spout is packaged in.

IF YOU ARE INSTALLING TUB SPOUT 1, 2 (27) RP5833 Series, this tub spout is designed for 1/2" iron pipe installations (see illustration below). All other connections will require appropriate reducers. Use Teflon Tape for threaded connections.

RP5833 SERIES

| TUB SPOUT | ROUGH-IN DIM. A | |
|-----------------------------|-----------------|---------|
| | MIN. | MAX. |
| RP5833—Chrome | 3-7/8" | 4" |
| RP5833 AB Antique Brass | 3-7/16" | 3-9/16" |
| RP5833 PB Polished Brass | 3-7/16" | 3-9/16" |
| RP5833 WH White | 3-7/16" | 3-9/16" |

TUB SPOUT 8" min. / 18" max. to center of valve

FINISHED WALL SURFACE

Select 1/2" pipe nipple that will project from finished wall (refer to chart)

1/2" threaded pipe nipple

5. FOR REVERSE INSTALLATIONS (HOT on RIGHT and COLD on LEFT), follow instructions on next page. If not, continue with STEP 6.

6. MAKE APPROPRIATE PLUMBING CONNECTIONS.

7. INSTALL VOLUME CONTROL HANDLE (5), (7) or (29) and secure with hex nut (6) using 11/16" deep well socket. **IMPORTANT:** Hex nut must be secured tightly enough to keep the handle from wobbling but not enough to bind up the handle.

8. TURN VOLUME CONTROL HANDLE (5), (7) OR (29) TO FULL ON POSITION AND TEMPERATURE CONTROL HANDLE (3) TO VERTICAL OR MIX POSITION. Turn on water supplies, check for leaks and let lines flush for one minute without moving faucet handle. Divert water to showerhead and flush for 30 seconds. This will remove any debris from lines which can damage internal parts of the faucet and create leaks. Check operation to see if cold only flows with valve full on and pointer on temperature control handle (3) pointing to extreme right.

9. ADJUST ROTATIONAL LIMIT STOP. After water has run a sufficient length of time so that cold water is as cold as it will get, and hot water is as hot as it will get, remove button (1). Rotate temperature control handle (3) counter clockwise to hottest position.

HELPFUL HINT:

- IMPORTANT:** Connection of deck mount spouts to in wall valves can not be done. The use of hand showers connected to tub outlet in a tub/shower push button diverter combination can not be done.
- Piping between valve body and tub spout must be a minimum of 5/8" O.D. copper pipe or 1/2" iron pipe in a straight drop no more than 18" long with only one iron pipe or copper 90 degree elbow to the tub spout nipple.

LEAVE THIS INSTRUCTION SHEET WITH INSTALLED FAUCET!

10. Place a thermometer in a plastic tumbler, and hold the tumbler in the water stream. Record the temperature reading and note or mark the position of the Rotational Limit Stop on the mating part. If the water temperature is above 120° F, the Rotational Limit Stop (4) must be rotated clockwise (SEE ILLUSTRATION).



Remove the rotational limit stop and replace it one tooth for every 3° F (approximate) change in temperature that must be made. If water temperature is cooler than desired, rotate the rotational limit stop counter clockwise. Replace handle (3), turn faucet off and then back on and recheck water temperature. MAKE SURE COLD WATER FLOWS FIRST. Repeat as necessary.

11. Replace handle screw (2) and button (1).

IMPORTANT! The use of handshowers connected to the tub outlet in a tub/shower push button diverter combination can not be done. Connection of Roman tub deck mount spouts to in wall valves can not be done. Connection of Roman tub wall mount spouts can be done as long as one straight drop 1/2 CTS copper or 1/2" IP with no more than one 90 degree elbow is used. All copper tubes must be properly deburred.

NOTE: If the water in your area has lime, rust, sand or other contaminants in it, your pressure balance valve will require periodic inspection. The frequency of the inspection will depend on the amount of contaminants in the water. To inspect cartridge, remove the cartridge from the body and shake the cartridge rigorously. If there is a rattling sound, the unit is functional and can be reinstalled in its previous position. If there is no rattle, replace cartridge with RP16207 (13).

MAINTENANCE



WHEN PERFORMING ROUTINE MAINTENANCE, DO NOT VOID YOUR WARRANTY BY INSTALLING NON-GENUINE PARTS. USE ONLY AUTHORIZED PARTS THAT CARRY THE DELTA GENUINE PARTS LOGO. YOU WILL FIND DETAILED MAINTENANCE INSTALLATION INSTRUCTIONS ON THE BACK OF ALL OUR CARDED REPAIR KITS. IMPORTANT: AFTER ANY MAINTENANCE THOROUGHLY FLUSH THE FAUCET AS PREVIOUSLY STATED IN THE INSTALLATION INSTRUCTIONS.

TROUBLE SHOOTING

| CONDITION | REMEDY |
|--|--|
| Faucet leaks from tub spout / showerhead SHUT OFF WATER SUPPLIES | Replace seats and springs and quad rings Repair Kit RP16208. |
| If leak persists – SHUT OFF WATER SUPPLIES | Replace volume plate & o-rings Repair Kit RP16211. |
| Unable to maintain constant water temperature SHUT OFF WATER SUPPLIES | Remove cartridge assembly, shake cartridge side to side. Spool should rattle in sleeve. If rattle cannot be heard, spool may be stuck. Spool may be freed up by rapping briskly sideways into the palm of your hand. If spool cannot be freed replace cartridge assembly – Repair Kit RP16207. |
| Cannot receive more than a trickle of water | Both hot and cold supply lines must be pressurized. If only one side is pressurized, the pressure balance system will not allow adequate flow of water. |
| Volume control handle rotates 360 degrees or is not positioned correctly per escutcheon, (sleeve is also loose). | The keys of the cartridge have not been properly placed in the keyways in the brass body or keys on cartridge have been sheared off due to improper installation. BE SURE TO CORRECT THIS SITUATION IMMEDIATELY. |

CARE INSTRUCTIONS

Your DELTA® Faucet is designed and engineered in accordance with the highest quality and performance standards. With proper care, it will give you years of trouble free service. Care should be given to the cleaning of this product. Although its finish is extremely durable, it can be damaged by harsh abrasives or polish. To clean, wipe gently with a damp cloth and blot dry with a soft towel.

WARNING! DOW BATHROOM CLEANER WITH SCRUBBING BUBBLES AND LYSOL FOAMING BASIN TUB AND TILE CLEANER MUST NOT BE USED ON THE CLEAR KNOB HANDLES AND LEVERS. USE OF THESE CLEANERS CAN RESULT IN CRACKED OR SEVERELY DAMAGED HANDLES. IF OVERSPRAY GETS ONTO THE HANDLES, IMMEDIATELY WIPE THEM DRY WITH A SOFT COTTON CLOTH.

DELTA LIMITED WARRANTY

All parts of the Delta faucet are warranted to the original consumer purchaser to be free from defects in material and workmanship for a period of two (2) years. This warranty is made to the original consumer purchaser and shall be effective from date of purchase as shown on purchaser's receipt.

Delta will replace, FREE OF CHARGE, during the warranty period, any part which proves defective in material and/or workmanship under normal installation, use and service. Replacement parts can be obtained from your local dealer or distributor listed in the telephone directory or by returning the part along with the purchaser's receipt to our factory. TRANSPORTATION CHARGES PREPAID, at the address listed. THIS WARRANTY IS THE ONLY EXPRESS WARRANTY MADE BY DELTA. ANY CLAIMS MADE UNDER THIS WARRANTY MUST BE MADE DURING THE TWO YEAR PERIOD REFERRED TO ABOVE. ANY IMPLIED WARRANTIES, INCLUDING THE IMPLIED WARRANTY OF MERCHANTABILITY OR FITNESS FOR A PARTICULAR PURPOSE, ARE LIMITED IN DURATION TO THE DURATION OF THIS WARRANTY. LABOR CHARGES AND/OR DAMAGE INCURRED IN INSTALLATION, REPAIR OR REPLACEMENT AS WELL AS INCIDENTAL AND CONSEQUENTIAL DAMAGES CONNECTED THEREWITH ARE EXCLUDED AND WILL NOT BE PAID BY DELTA.

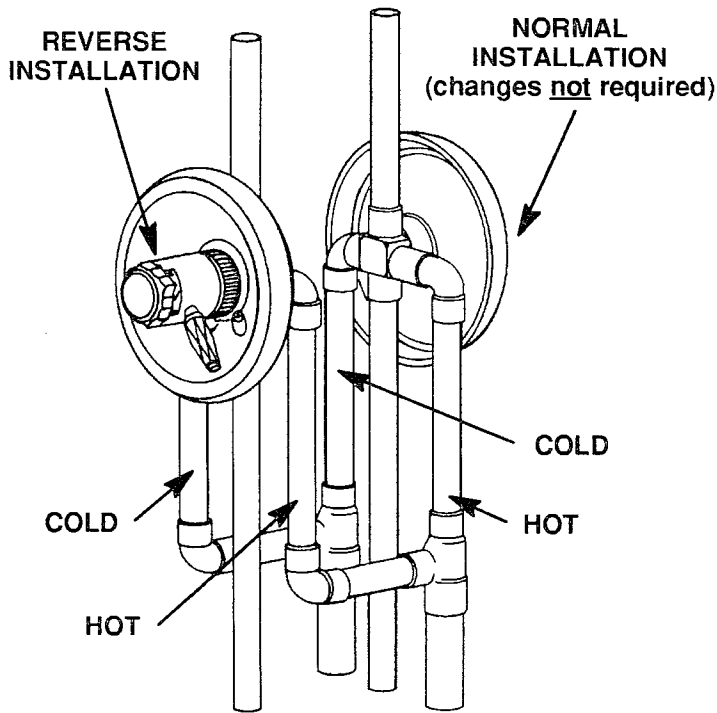
Some states do not allow limitations on how long an implied warranty lasts, or the exclusion or limitation of incidental or consequential damages, so the above limitations or exclusions may not apply to you.

This warranty gives you specific legal rights, and you may also have other rights which vary from state to state.

This warranty is void for any damage to this faucet due to misuse, abuse, neglect, accident, improper installation, any use violative of instructions furnished by us or any use of replacement parts other than genuine Delta parts.

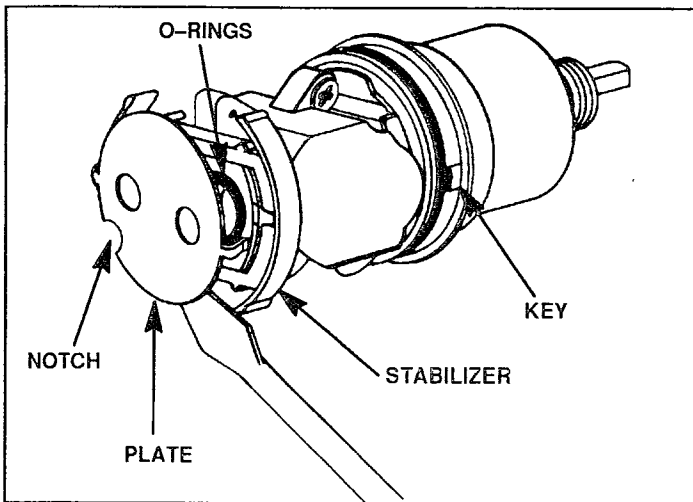
FOR BACK TO BACK OR REVERSE INSTALLATION ONLY (HOT ON RIGHT AND COLD ON LEFT)

WARNING: FAILURE TO FOLLOW THESE INSTRUCTIONS COULD PREVENT THE VALVE FROM FUNCTIONING PROPERLY.

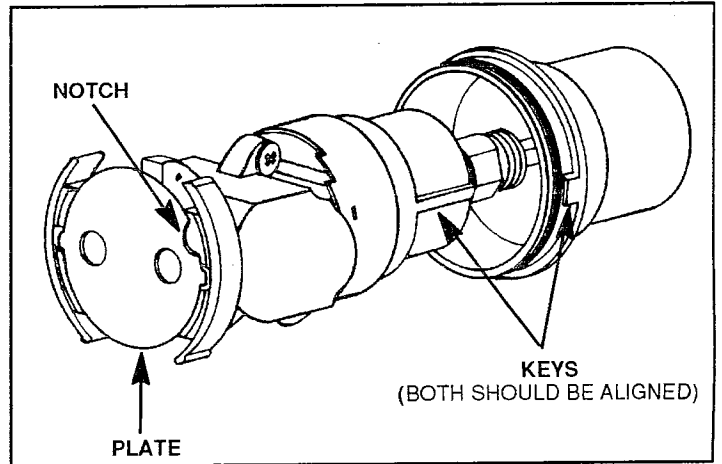


A. Make sure water supplies are OFF.

B. Remove cartridge assembly (13) from body. **Carefully** remove stainless steel plate from cartridge, rotate the plate one half turn (180 degrees) from original position and reinstall. Stabilizer **must** be on cartridge for proper operation. **NOTE:** Make sure o-rings remain under plate (see illustration below).



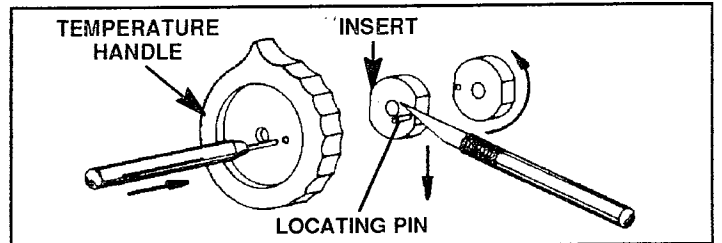
C. **NOTE:** FOR BACK TO BACK AND REVERSE INSTALLATIONS THE NOTCH IN THE PLATE MUST BE ON THE SAME SIDE AS THE KEY ON THE CARTRIDGE (see illustration below).



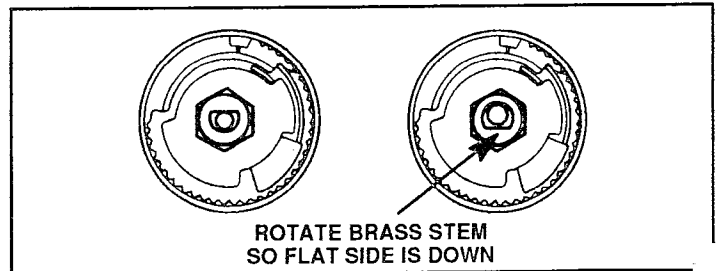
D. Reinstall cartridge (13) into body. Make sure that the key on the cartridge (see illustration under Step B) is fully engaged with the slot in the brass body. Once the key is engaged properly, hold the cartridge in place while tightening the bonnet (10). When cartridge and bonnet are properly assembled, the sleeve (11) will be secure and will spin, but will not move forward or backwards. Be sure to replace all parts, including the quad rings.

E. Push insert out of temperature control handle (3) with a punch or small screw driver. (see illustration below).

F. Cut locating pin off the insert and push back into handle after rotating one half turn from original position (see illustration below).



G. Rotate brass stem on valve assembly (13) so that the flat on the stem faces down (see illustration below). Install handle and button.



| KEY | PART DESCRIPTION | ORDER NUMBER | 1504 | 1504 SHP | 1504 WH WS | 1508 | 1508 SHP | 1508 WH WS | 1524 | 1524 AB SHP | 1524 PB | 1524 PB SHP | 1524 SHP | 1524 WH WS | 1538 | 1538 AB SHP | 1538 PB | 1538 PB SHP | 1538 SHP | 1538 WH WS | 1548 | 1548 AB SHP | 1548 BRS MDS | 1548 MDS | 1548 PB | 1548 PB BRS MDS | 1548 PB MDS | 1548 PB SHP | 1548 SHP | 1548 WH WS | |
|-----|-----------------------------------|----------------|------|----------|------------|------|----------|------------|------|-------------|---------|-------------|----------|------------|------|-------------|---------|-------------|----------|------------|------|-------------|--------------|----------|---------|-----------------|-------------|-------------|----------|------------|---|
| 1. | Button | RP16201 | ● | ● | ● | ● | ● | ● | ● | ● | ● | ● | ● | ● | ● | ● | ● | ● | ● | ● | ● | ● | ● | ● | ● | ● | ● | ● | ● | ● | ● |
| 2. | Screw | RP6369 | ● | ● | ● | ● | ● | ● | ● | ● | ● | ● | ● | ● | ● | ● | ● | ● | ● | ● | ● | ● | ● | ● | ● | ● | ● | ● | ● | ● | ● |
| 3. | Handle Assy. (temperature) | RP16202 | ● | ● | ● | ● | ● | ● | ● | ● | ● | ● | ● | ● | ● | ● | ● | ● | ● | ● | ● | ● | ● | ● | ● | ● | ● | ● | ● | ● | ● |
| 4. | Rotational Limit Stop | RP16203 | ● | ● | ● | ● | ● | ● | ● | ● | ● | ● | ● | ● | ● | ● | ● | ● | ● | ● | ● | ● | ● | ● | ● | ● | ● | ● | ● | ● | ● |
| 5. | Handle Assy. (volume) | RP16204 | ● | ● | ● | ● | ● | ● | ● | ● | ● | ● | ● | ● | ● | ● | ● | ● | ● | ● | ● | ● | ● | ● | ● | ● | ● | ● | ● | ● | ● |
| | | RP16204 PB | | | | | | | | ● | | | | | | | | | | | | | | | | | | | | | |
| 6. | Nut | RP16212 | ● | ● | ● | ● | ● | ● | ● | ● | ● | ● | ● | ● | ● | ● | ● | ● | ● | ● | ● | ● | ● | ● | ● | ● | ● | ● | ● | ● | ● |
| 7. | Handle Assembly | RP18629 | ● | ● | ● | ● | ● | ● | ● | ● | ● | ● | ● | ● | ● | ● | ● | ● | ● | ● | ● | ● | ● | ● | ● | ● | ● | ● | ● | ● | ● |
| | | RP18629 AB | | | | | | | | ● | | | | | | | | | | | | | | | | | | | | | |
| | | RP18629 PB | | | | | | | | | ● | | | | | | | | | | | | | | | | | | | | |
| 8. | Nut | RP19226 | ● | ● | ● | ● | ● | ● | ● | ● | ● | ● | ● | ● | ● | ● | ● | ● | ● | ● | ● | ● | ● | ● | ● | ● | ● | ● | ● | ● | ● |
| | | RP19226 AB | | | | | | | | ● | | | | | | | | | | | | | | | | | | | | | |
| | | RP19226 PB | | | | | | | | | ● | | | | | | | | | | | | | | | | | | | | |
| 9. | Lever Handle - Crystal | RP16125 | ● | * | ● | * | ● | * | ● | * | ● | * | ● | * | ● | * | ● | * | ● | * | ● | * | ● | * | ● | * | ● | * | ● | * | ● |
| | - Oak | RP16125 OAK | | * | | * | | * | | * | | * | | * | | * | | * | | * | | * | | * | | * | | * | | * | |
| | - Porcelain | RP16125 POR | | * | | * | | * | | * | | * | | * | | * | | * | | * | | * | | * | | * | | * | | * | |
| | - Rosewood | RP16125 ROS | | * | | * | | * | | * | | * | | * | | * | | * | | * | | * | | * | | * | | * | | * | |
| | - Brass | RP16125 BRS | | * | | * | | * | | * | | * | | * | | * | | * | | * | | * | | * | | * | | * | | * | |
| | | RP16125 AB BRS | | * | | * | | * | | * | | * | | * | | * | | * | | * | | * | | * | | * | | * | | * | |
| | | RP16125 PB BRS | | * | | * | | * | | * | | * | | * | | * | | * | | * | | * | | * | | * | | * | | * | |
| 10. | Bonnet | RP16205 | ● | ● | ● | ● | ● | ● | ● | ● | ● | ● | ● | ● | ● | ● | ● | ● | ● | ● | ● | ● | ● | ● | ● | ● | ● | ● | ● | ● | ● |
| | | RP16205 PB | | | | | | | | ● | | | | | | | | | | | | | | | | | | | | | |
| | | RP16205 SB | | | | | | | | | ● | | | | | | | | | | | | | | | | | | | | |
| | | RP16205 WH | | | | | | | | | | | | | | | | | | | | | | | | | | | | | |
| 11. | Sleeve | RP16206 | ● | ● | ● | ● | ● | ● | ● | ● | ● | ● | ● | ● | ● | ● | ● | ● | ● | ● | ● | ● | ● | ● | ● | ● | ● | ● | ● | ● | ● |
| | | RP16206 PB | | | | | | | | ● | | | | | | | | | | | | | | | | | | | | | |
| | | RP16206 SB | | | | | | | | | ● | | | | | | | | | | | | | | | | | | | | |
| | | RP16206 WH | | | | | | | | | | | | | | | | | | | | | | | | | | | | | |
| 12. | Plate & O-Rings | RP16211 | ● | ● | ● | ● | ● | ● | ● | ● | ● | ● | ● | ● | ● | ● | ● | ● | ● | ● | ● | ● | ● | ● | ● | ● | ● | ● | ● | ● | ● |
| 13. | Cartridge Assembly | RP16207 | ● | ● | ● | ● | ● | ● | ● | ● | ● | ● | ● | ● | ● | ● | ● | ● | ● | ● | ● | ● | ● | ● | ● | ● | ● | ● | ● | ● | ● |
| 14. | Seats, Springs & Quad Rings | RP16208 | ● | ● | ● | ● | ● | ● | ● | ● | ● | ● | ● | ● | ● | ● | ● | ● | ● | ● | ● | ● | ● | ● | ● | ● | ● | ● | ● | ● | ● |
| 15. | Push Button Diverter | RP5649 | | | | ● | ● | | | | | | | | | | | | | | | | | | | | | | | | |
| | | RP5649 AB | | | | | | | | | | | | | | | | | | | | | | | | | | | | | |
| | | RP5649 PB | | | | | | | | | | | | | | | | | | | | | | | | | | | | | |
| | | RP5649 WH | | | | | | | | | | | | | | | | | | | | | | | | | | | | | |
| 16. | Stop Stem Assembly | RP16213 | ◇ | ◇ | ◇ | ◇ | ◇ | ◇ | ◇ | ◇ | ◇ | ◇ | ◇ | ◇ | ◇ | ◇ | ◇ | ◇ | ◇ | ◇ | ◇ | ◇ | ◇ | ◇ | ◇ | ◇ | ◇ | ◇ | ◇ | ◇ | ◇ |
| 17. | Pipe Plug | RP76 | ● | ● | ● | ● | ● | ● | ● | ● | ● | ● | ● | ● | ● | ● | ● | ● | ● | ● | ● | ● | ● | ● | ● | ● | ● | ● | ● | ● | ● |
| 18. | Screws | RP196 | ● | ● | ● | ● | ● | ● | ● | ● | ● | ● | ● | ● | ● | ● | ● | ● | ● | ● | ● | ● | ● | ● | ● | ● | ● | ● | ● | ● | ● |
| | | RP196 AB | | | | | | | | ● | | | | | | | | | | | | | | | | | | | | | |
| | | RP196 PB | | | | | | | | | ● | | | | | | | | | | | | | | | | | | | | |
| | | RP196 WH | | | | | | | | | | | | | | | | | | | | | | | | | | | | | |
| 19. | Escutcheon (push button diverter) | RP20102 | | | | ● | ● | | | | | | | | | | | | | | | | | | | | | | | | |
| | | RP20102 AB | | | | | | | | | | | | | | | | | | | | | | | | | | | | | |
| | | RP20102 PB | | | | | | | | | | | | | | | | | | | | | | | | | | | | | |
| | | RP20102 WH | | | | | | | | | | | | | | | | | | | | | | | | | | | | | |
| 20. | Escutcheon | RP20101 | ● | ● | | | | | | | | | | | | | | | | | | | | | | | | | | | |
| | | RP20101 AB | | | | | | | | | | | | | | | | | | | | | | | | | | | | | |
| | | RP20101 PB | | | | | | | | | | | | | | | | | | | | | | | | | | | | | |
| | | RP20101 WH | | | | | | | | | | | | | | | | | | | | | | | | | | | | | |
| 21. | Showerhead | RP6122 | | | | | | | | | | | | | | | | | | | | | | | | | | | | | |
| 22. | Showerhead | RP6152 AB | | | | | | | | | | | | | | | | | | | | | | | | | | | | | |
| | | RP6152 PB | | | | | | | | | | | | | | | | | | | | | | | | | | | | | |
| | | RP6152 WH | | | | | | | | | | | | | | | | | | | | | | | | | | | | | |
| 23. | Shower Arm | RP6023 | | | | | | | | | | | | | | | | | | | | | | | | | | | | | |
| | | RP6023 AB | | | | | | | | | | | | | | | | | | | | | | | | | | | | | |
| | | RP6023 PB | | | | | | | | | | | | | | | | | | | | | | | | | | | | | |
| | | RP6023 WH | | | | | | | | | | | | | | | | | | | | | | | | | | | | | |
| 24. | Shower Flange | RP6025 | | | | | | | | | | | | | | | | | | | | | | | | | | | | | |
| | | RP6025 AB | | | | | | | | | | | | | | | | | | | | | | | | | | | | | |
| | | RP6025 PB | | | | | | | | | | | | | | | | | | | | | | | | | | | | | |
| | | RP6025 WH | | | | | | | | | | | | | | | | | | | | | | | | | | | | | |
| 25. | Tub Spout - Diverter | RP17453 | | | | | | | | | | | | | | | | | | | | | | | | | | | | | |
| 26. | Tub Spout - Diverter | RP17454 AB | | | | | | | | | | | | | | | | | | | | | | | | | | | | | |
| | | RP17454 PB | | | | | | | | | | | | | | | | | | | | | | | | | | | | | |
| | | RP17454 WH | | | | | | | | | | | | | | | | | | | | | | | | | | | | | |
| 27. | Tub Spout - Non Diverter | RP5833 | | | | | | | | | | | | | | | | | | | | | | | | | | | | | |
| | | RP5833 AB | | | | | | | | | | | | | | | | | | | | | | | | | | | | | |
| | | RP5833 PB | | | | | | | | | | | | | | | | | | | | | | | | | | | | | |
| | | RP5833 WH | | | | | | | | | | | | | | | | | | | | | | | | | | | | | |
| 28. | Tub Spout - Diverter | RP7533 | | | | | | | | | | | | | | | | | | | | | | | | | | | | | |
| | | RP7533 PB | | | | | | | | | | | | | | | | | | | | | | | | | | | | | |
| 29. | Handle Assy. (volume) | RP20140 WH | | | | | | | | | | | | | | | | | | | | | | | | | | | | | |

* Lever Handle Options
◇ WS Models Only.



A Division of Masco Corporation of Indiana
Route 46 West P.O. Box 47
Greensburg, Indiana 47240